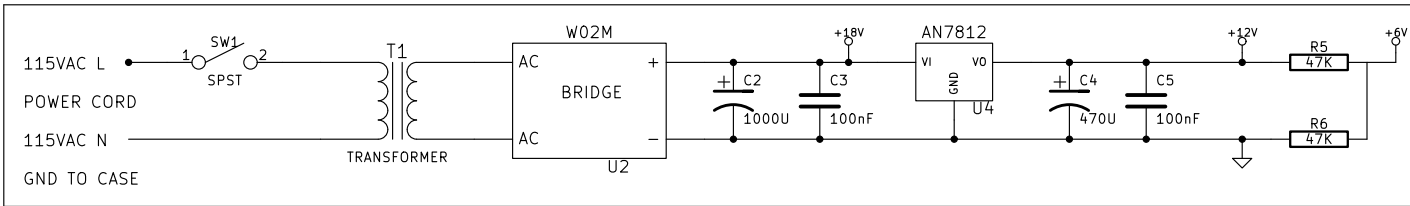
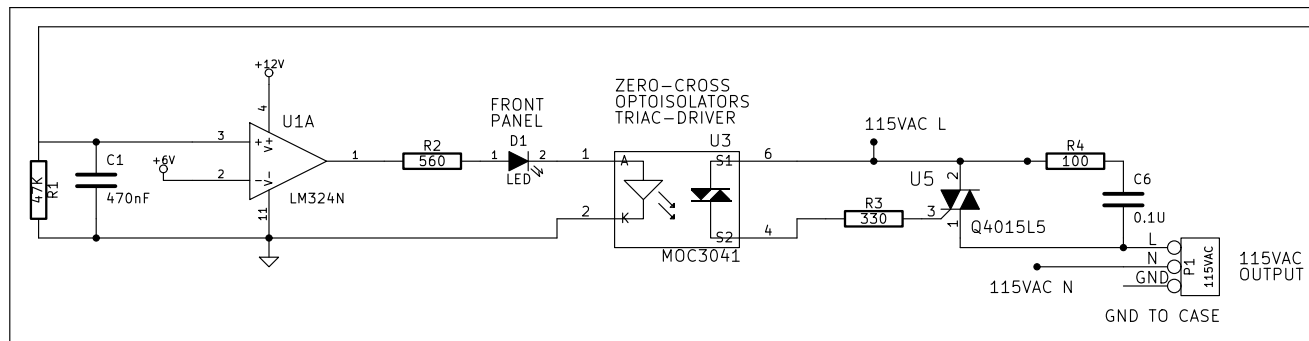


POWER SUPPLY

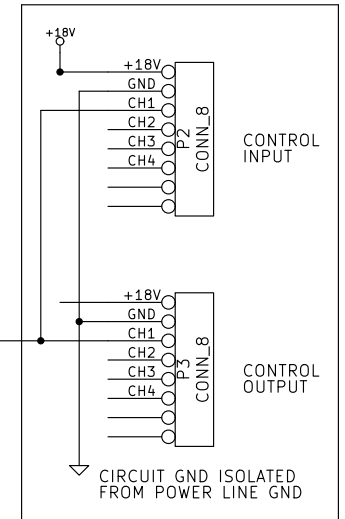


(NOTE: CIRCUIT BREAKER AND FUSES NOT SHOWN)

CH1 OF FOUR IDENTICAL CHANNELS



FRONT PANEL I/O



File: bpp20.sch  
Sheet: /

Title: BPP-20 4 Channel Power Pack

Size: A4 Date: 20 jun 2012

KiCad E.D.A.

Rev: 1

Id: 1/1