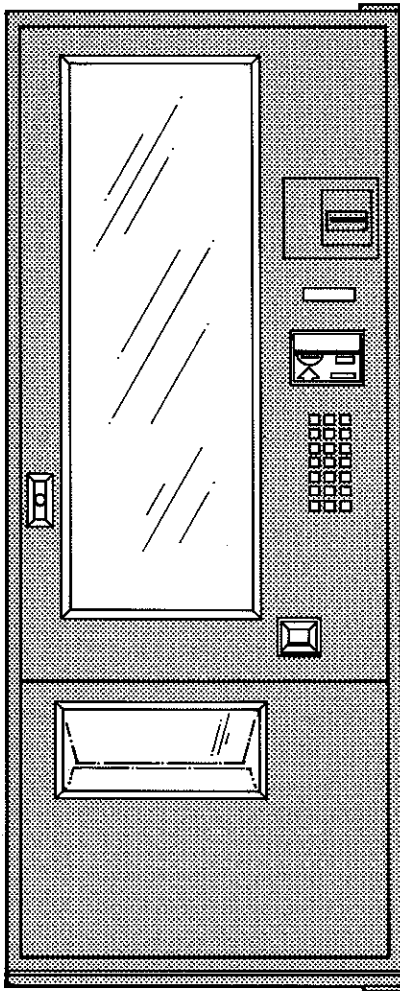
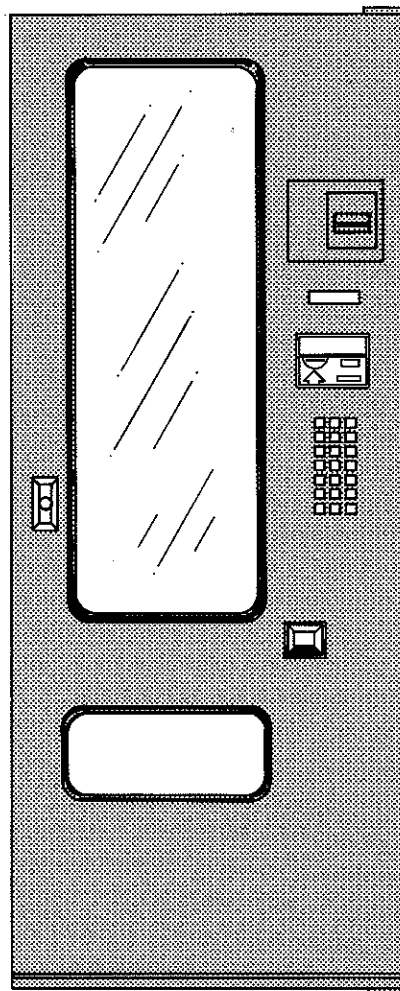


GF 19 MODELS TYPES A & B



TYPE A



TYPE B

PARTS MANUAL

P/N 4203762

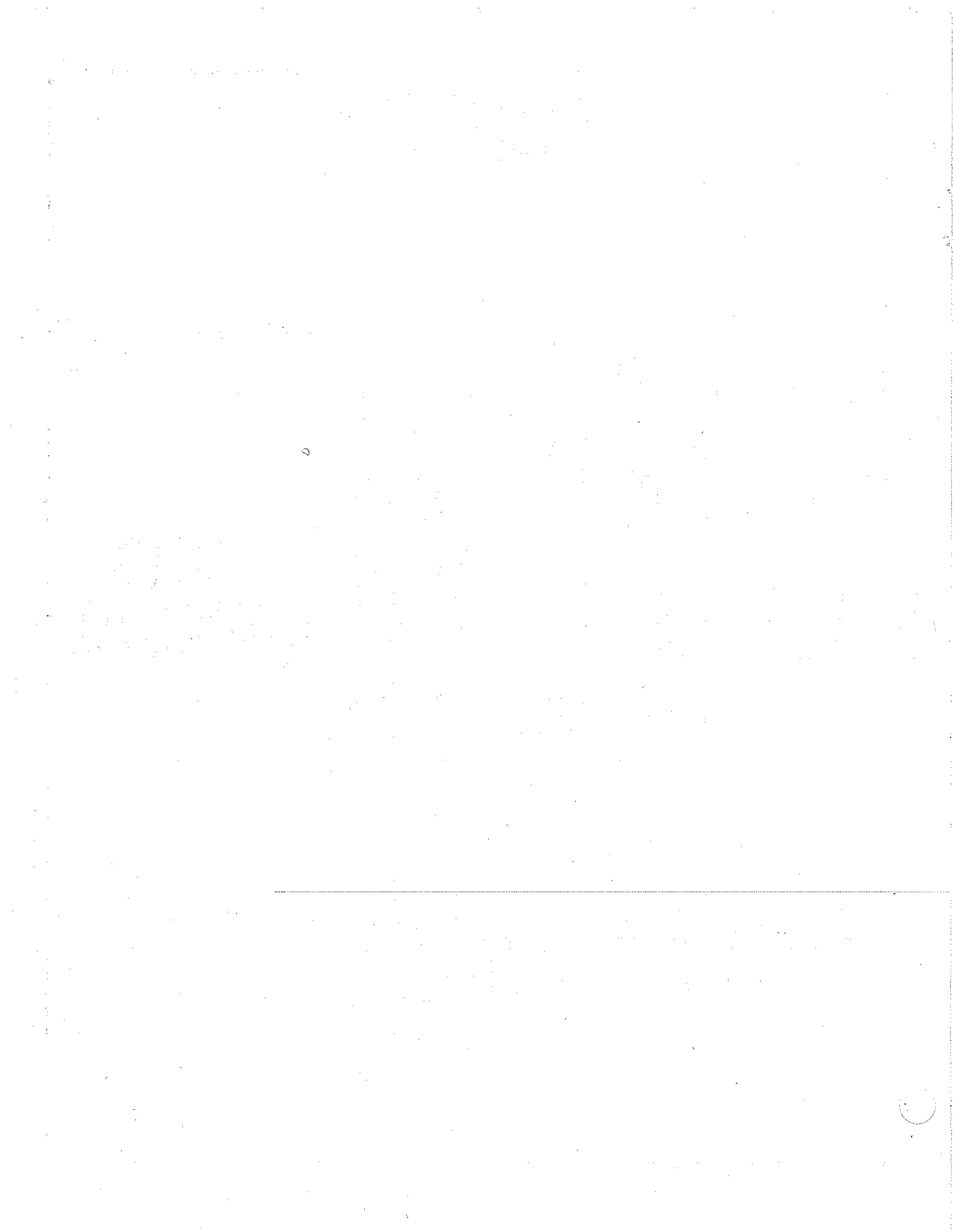


TABLE OF CONTENTS

GENERAL INFORMATION	1-2
TYPE A DOOR ASSEMBLY	3-4
TYPE B DOOR ASSEMBLY	5-6
TYPE A DELIVERY ASSEMBLY	7
TYPE B DELIVERY ASSEMBLY	8
TYPE A LIGHT ASSEMBLY	9
TYPE B LIGHT ASSEMBLY	10
CABINET ASSEMBLY	11-12
SNACK TRAY ASSEMBLY	13
CANDY TRAY ASSEMBLY	14
CONTROL PANEL ASSEMBLY	15
COIN INSERT ASSEMBLY	16

GENERAL INFORMATION

Welcome to Selectivend, Inc., we offer you three convenient ways to order replacement parts. If you have any questions when placing your order, please call and we'll be happy to assist you. Please provide the following information when placing your order:

Quantity Required
Part Number
Description
Vendor Model
Serial Number

Shipping and Billing Address
Preferred Method of Shipment
Customer Account Number

TO ORDER BY MAIL:

You may place your requirements for replacement parts by providing the necessary information as requested above, and mailing your order to:

Selectivend, Inc.
165 N. 10th St.
P.O. Box 488
Waukee, Iowa 50263-0488

If you have any questions, please call (515) 274-3641, ask for Selectivend, Inc. and we will be happy to assist you.

TO ORDER BY FAX MACHINE:

(515) 987-4447

You may Fax your order for replacement parts by providing the necessary information as requested above, to Selectivend, Inc. by using our **Fax (515) 987-4447**.

If you have any questions, so indicate and we will respond via Fax, with your answer.

TO ORDER BY PHONE:

1-800-323-8792

You may call in your order for replacement parts or contact your local distributor. Ask for Selectivend, Inc. Please provide the necessary information, as requested above, to allow us to provide you with prompt and courteous service.

If you have any questions, so indicate and we will be happy to assist you.

GENERAL INFORMATION

TERMS:

- MINIMUM ORDER \$25.00. You may wish to inquire on prices of parts at the time of your order. If your order is less than the minimum, please check our catalog for other parts you may require to bring your order up to the \$25.00 minimum order.
- OPEN ACCOUNT with approved credit. A credit line may be established.
- MASTER CARD — VISA — C.O.D.

If you have any questions, please call and we will be happy to assist you.

RETURNS:

RESTOCKING CHARGE 20%. A restocking charge of 20% will apply to merchandise accepted by Selectivend for return, except items processed as a warranty.

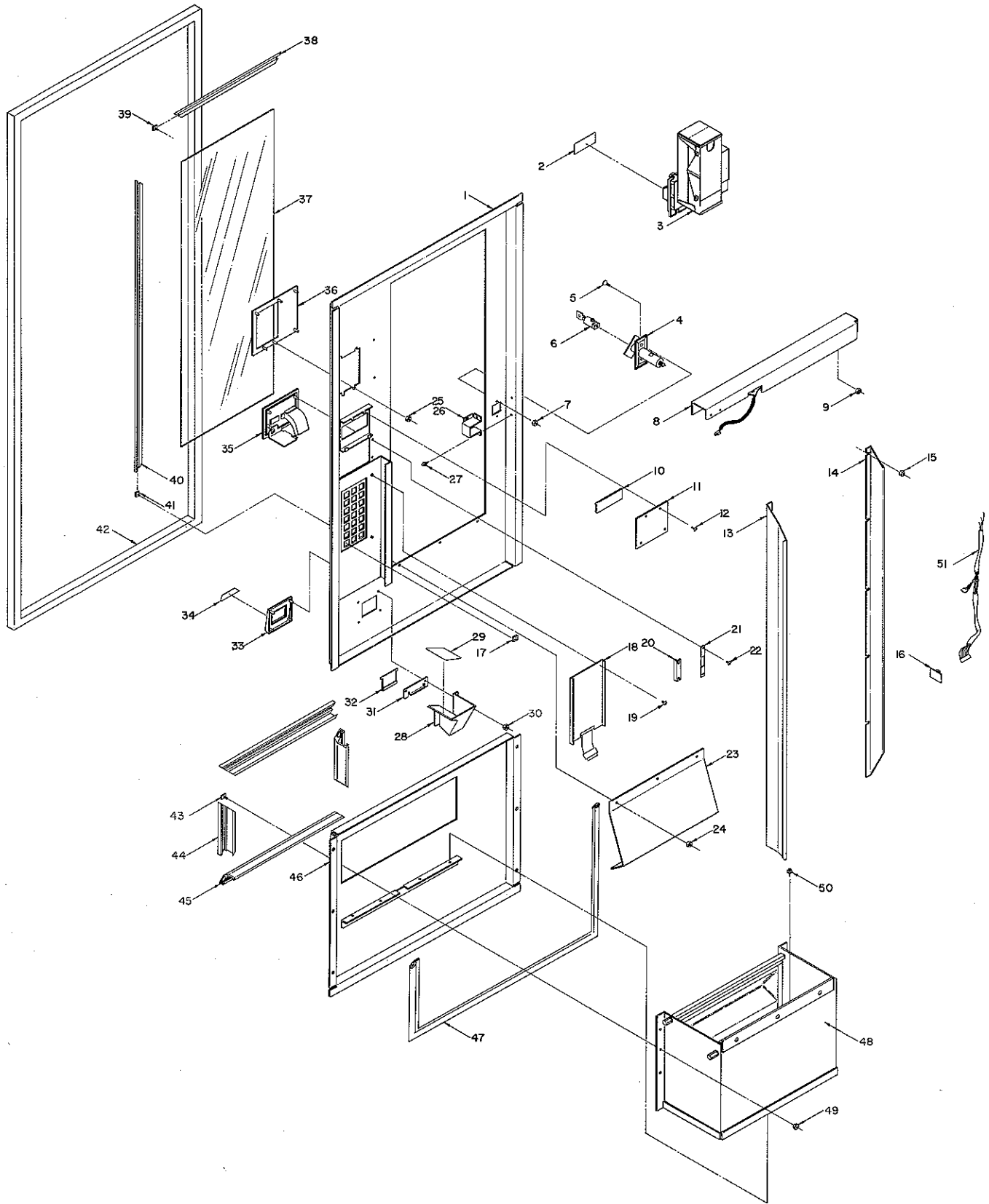
All items returned must be accompanied by a "material return form" clearly stating the reason for the return. Returns are to be shipped freight prepaid to Selectivend, Inc., 165 N. 10th St, Waukee, Iowa 50263-0488. (Forms are available upon request from Selectivend.)

If you have any questions regarding returns, please call Selectivend, Inc. (515) 274-3641, we will be happy to assist you.

LIMITATION OF LIABILITY:

Selectivend, Inc. shall not be liable for any injury, loss or damage, whether direct, incidental or consequential arising out of the use of or the inability to use any part, parts or products sold by Selectivend, Inc. The remedies of the buyer set forth herein are exclusive, and the liability of Selectivend, Inc. with respect to any contract or sale or anything done in connection therewith, whether in contract, in tort, under any warranty, or otherwise, shall not, except as expressly provided herein, exceed the price of the part, parts or products on which such liability is based. Any statements or representations about the parts or product, other than those contained herein, do not constitute warranties and shall not be relied on by the buyer and shall have no force or effect unless contained in a written agreement signed by officers of Selectivend, Inc.

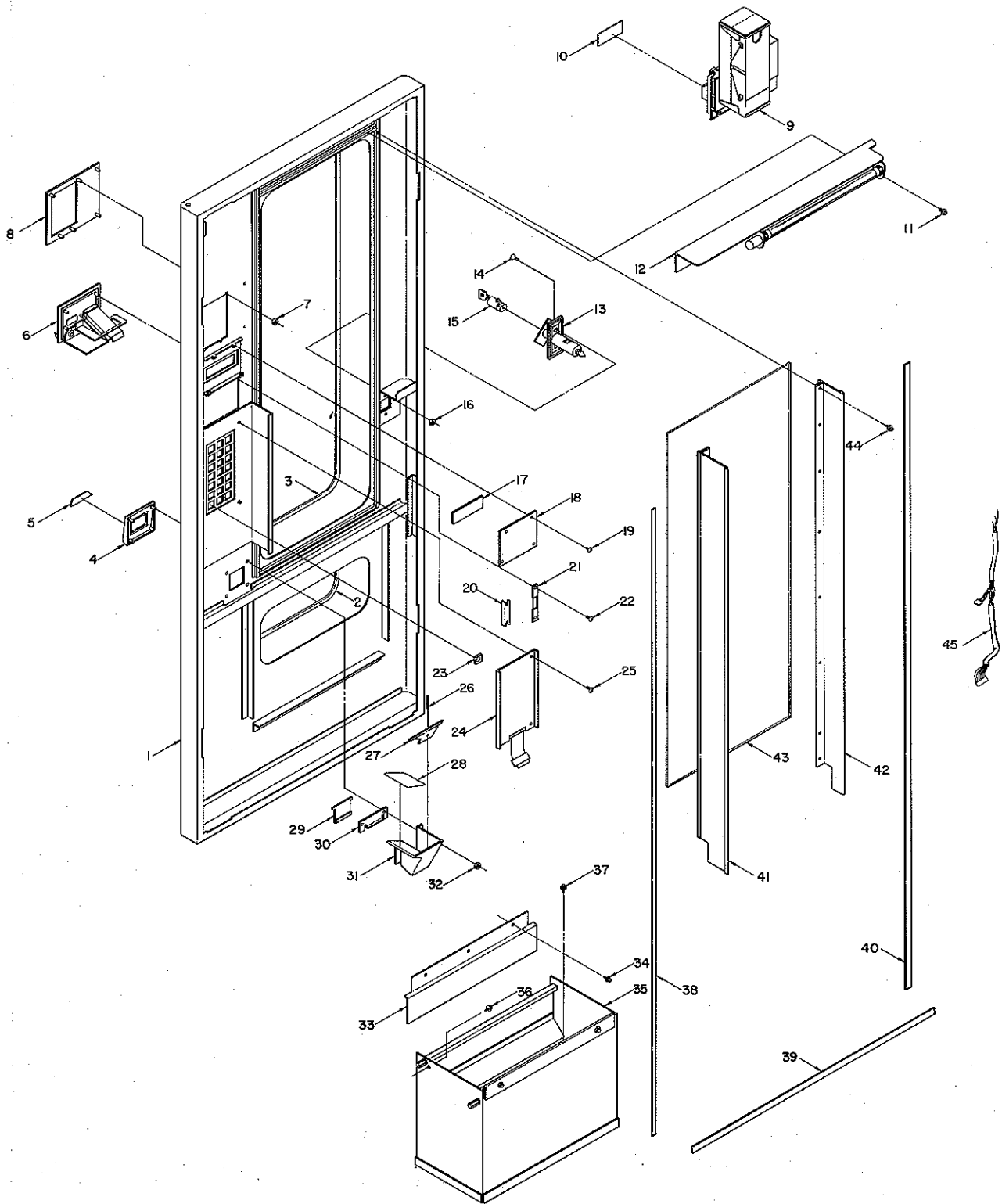
TYPE A DOOR ASSEMBLY



TYPE A DOOR ASSEMBLY

ITEM	PART NUMBER	TYPE A QTY	DESCRIPTION
--	1211171	1	COMPLETE DOOR ASSEMBLY
--	1211175	1	UPPER PANEL INSTALLATION
--	1211176	1	LOWER PANEL INSTALLATION
1	1211177	1	TOP DOOR PANEL WELD
2	4202396	1	VALIDATOR LABEL
3	4202765-002	1	VALIDATOR 110V (OPTIONAL)
--	4201907	1	VALIDATOR FILLER PLATE
4	4060321	1	T-HANDLE LATCH
5	4050338	2	10-32X1/2 PHIL FH MACHINE SCREW
6	4060330	1	LOCK CYLINDER WITH TWO KEYS
7	4050546	2	10-32 TWIN WHIZ NUT
8	1211174	1	UPPER LIGHT ASSEMBLY (SEE PAGE 9)
9	4050513	3	8-32 TWIN WHIZ LOCK NUT
10	4200659	1	READOUT WINDOW
11	4200660	1	DIGITAL DISPLAY
--	4034360	1	L.E.D. #406644 (4 BUTTON CONTROLLER)
12	4201942	4	6-20X3/16 PHIL PH SCREW
13	1101903-002	1	ANTI-THEFT GUARD
14	4009850-002	1	ANTI-THEFT GUARD - LEFT
15	4050513	10	8-32 TWIN WHIZ LOCK NUT (SEE PAGE 9)
16	8370959	2	LOCKING CLAMP 1/2"
17	4025741	21	PUSH BUTTON
18	1211490	1	KEYPAD ASSEMBLY
--	1211348	1	KEYPAD ASSEMBLY (4 BUTTON CONTROLLER)
19	7200468-005	4	6-18X1/4 PHIL TH SCREW
20	4008717	1	COIN INSERT CASTING BRACKET - LEFT
21	4008718	1	COIN INSERT CASTING BRACKET - RIGHT
22	7200470-002	3	8-32X5/16 PHIL RH SCREW
23	4008655-000	1	DOOR DEFLECTOR
24	4050513	3	8-32 TWIN WHIZ LOCK NUT (SEE PAGE 9)
25	4050513	4	8-32 TWIN WHIZ LOCK NUT (SEE PAGE 9)
26	4009823	1	LOCK HOUSING
27	4050202	2	8-18X1/2 PHIL HWH TEKS SCREW
28	7201649-000	1	COIN RETURN CUP
29	4201940	1	COIN STOP DECAL
30	7334982-000	4	.156 STUD SELF THREADING NUT
31	7201422-000	1	ANTI-PAYOUT TAB
32	7200102-000	1	COIN RETURN FLAP
33	7334281-000	1	CHANGE BEZEL
34	7334984-000	1	CHANGE LABEL
35	1211185	1	COIN INSERT CASTING ASSEMBLY (SEE PAGE 16)
36	1211355-001	1	VALIDATOR MOUNTING WELD
37	4025261	1	DISPLAY WINDOW
38	4022370-005	2	DISPLAY TRIM - TOP & BOTTOM
39	4050712	3	8-32X1/2 TEE-BOLT
40	4022370-002	2	DISPLAY TRIM - SIDES
41	4050724	13	8-32X3/8 TEE-BOLT
42	1101116-011	1	DOOR FRAME WELD ASSEMBLY
43	4050724	12	8-32X3/8 TEE-BOLT
44	4022357-001	2	DELIVERY TRIM - SIDES
45	4022357-003	2	DELIVERY TRIM - TOP & BOTTOM
46	1101592-001	1	BOTTOM DOOR PANEL WELD
47	4060359	1	DOOR GASKET
48	1211172	1	DELIVERY FINAL ASSEMBLY (SEE PAGE 7)
49	4050513	12	8-32 TWIN WHIZ LOCK NUT
50	4050202	4	8-18X1/2 PHIL HWH TEKS SCREW
51	4202375	1	DISPLAY KEYPAD HARNESS (4 BUTTON CONTROLLER)
--	4202977	1	DISPLAY KEYPAD HARNESS

TYPE B DOOR ASSEMBLY

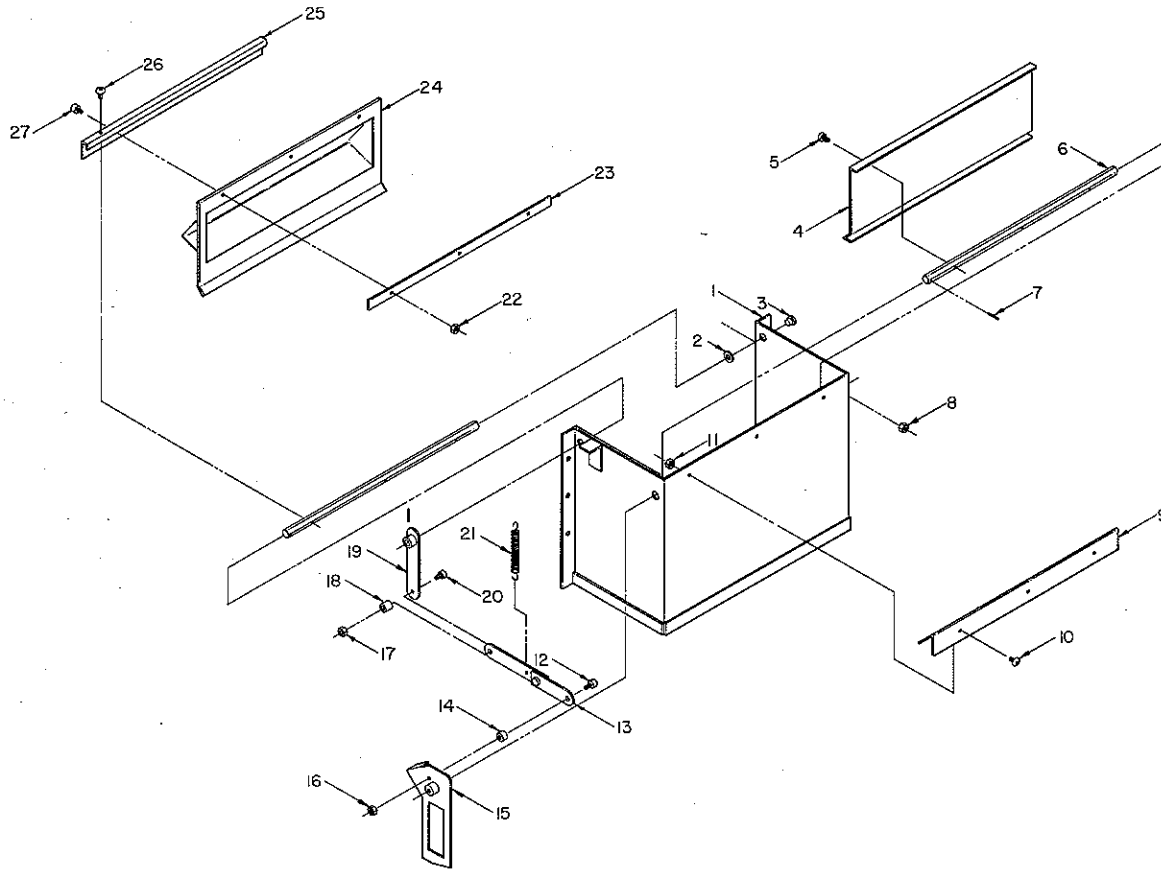


TYPE B DOOR ASSEMBLY

ITEM	PART NUMBER	TYPE B QTY	DESCRIPTION
—	1211486	1	DOOR ASSEMBLY
—	Δ1211486-001	1	DOOR ASSEMBLY - INTERNATIONAL
1	1211424-XXX	1	DOOR WELD
—	Δ1211424-005	1	DOOR WELD - INTERNATIONAL (SPECIFY COLOR)
2	4025735	8.75 FT	EDGE GUARD
3	4025735	3.1 FT	EDGE GUARD
4	7334281-002	1	CHANGE BEZEL
5	7334984-000	1	CHANGE LABEL
6	1211489	1	COIN INSERT CASTING ASSEMBLY (SEE PAGE 16)
7	4050513	6	8-32 TWIN WHIZ LOCK NUT
8	1211355-001	1	VALIDATOR MOUNTING WELD
9	4202765-002	1	VALIDATOR 110V (OPTIONAL)
—	4201907	1	VALIDATOR FILLER PLATE
10	4202396	1	VALIDATOR LABEL
11	4050420	1	8-18X1/4 PHIL HWH SCREW
12	1211487	3	LIGHT ASSEMBLY (SEE PAGE 10)
13	4060321-001	1	T-HANDLE LATCH
14	4050338	2	10-32X1/2 PHIL FH MACHINE SCREW
15	4060330	1	LOCK CYLINDER WITH TWO KEYS
16	4050546	2	10-32 TWIN WHIZ NUT
17	4200659	1	READOUT WINDOW
18	4200660	1	DIGITAL DISPLAY
19	4050120	4	6-32X5/16 PHIL PH TYP-T
20	4008717	1	COIN INSERT CASTING BRACKET - LEFT
21	4009751	2	COIN INSERT CASTING BRACKET - RIGHT
22	7200470-002	4	8-32X5/16 PHIL RH SCREW
23	4025741	21	PUSH BUTTON
24	1211490	1	KEYPAD ASSEMBLY
25	4201942	4	6-20X3/16 PHIL PH TYP-B
26	4050663	1	ALUMINUM RIVET
27	4203166	1	COIN DEFLECTOR
28	4201940	1	COIN STOP DECAL
29	7200102-000	1	COIN RETURN FLAP
30	7201422-000	1	ANTI-PAYOUT TAP
31	7201649-002	1	COIN RETURN CUP
32	7334982-000	4	.156 STUD SELF THREADING NUT
33	4203089	1	PRODUCT DEFLECTOR
34	4050420	3	8-18X1/4 PHIL HWH SCREW
35	1211488	1	DELIVERY BOX ASSEMBLY (SEE PAGE 8)
36	4050420	2	8-18X1/4 PHIL HWH SCREW
37	4050420	2	8-18X1/4 PHIL HWH SCREW
38	4060006	5.5 FT	1/2X1/4 DOOR GASKET
39	4202255	4.4 FT	3/4X1/4 DOOR GASKET - TOP & BOTTOM
40	4202255	5.5 FT	3/4X1/4 DOOR GASKET
41	4202822	1	ANTI-THEFT RIGHT
42	4202821	1	ANTI-THEFT LEFT
43	4203082	1	DISPLAY WINDOW
44	4050420	16	8-18X1/4 PHIL HWH SCREW
45	4202977	1	DISPLAY KEYPAD HARNESS

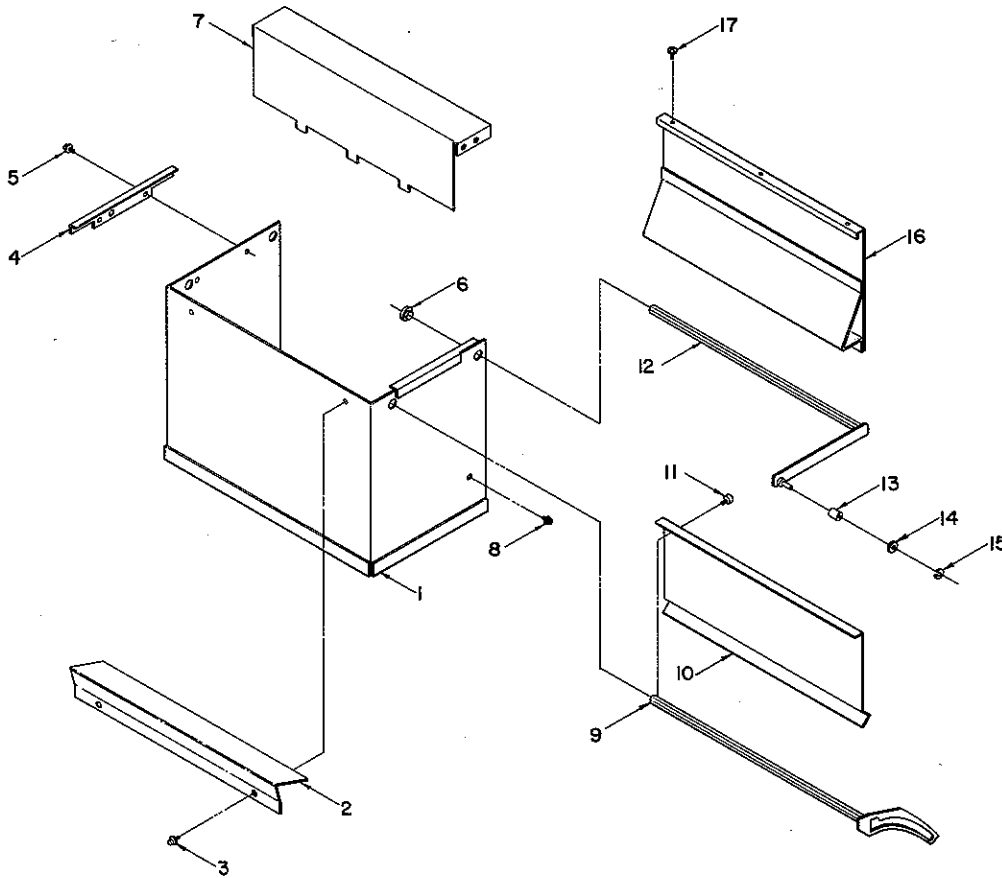
Δ = INTERNATIONAL

TYPE A DELIVERY ASSEMBLY



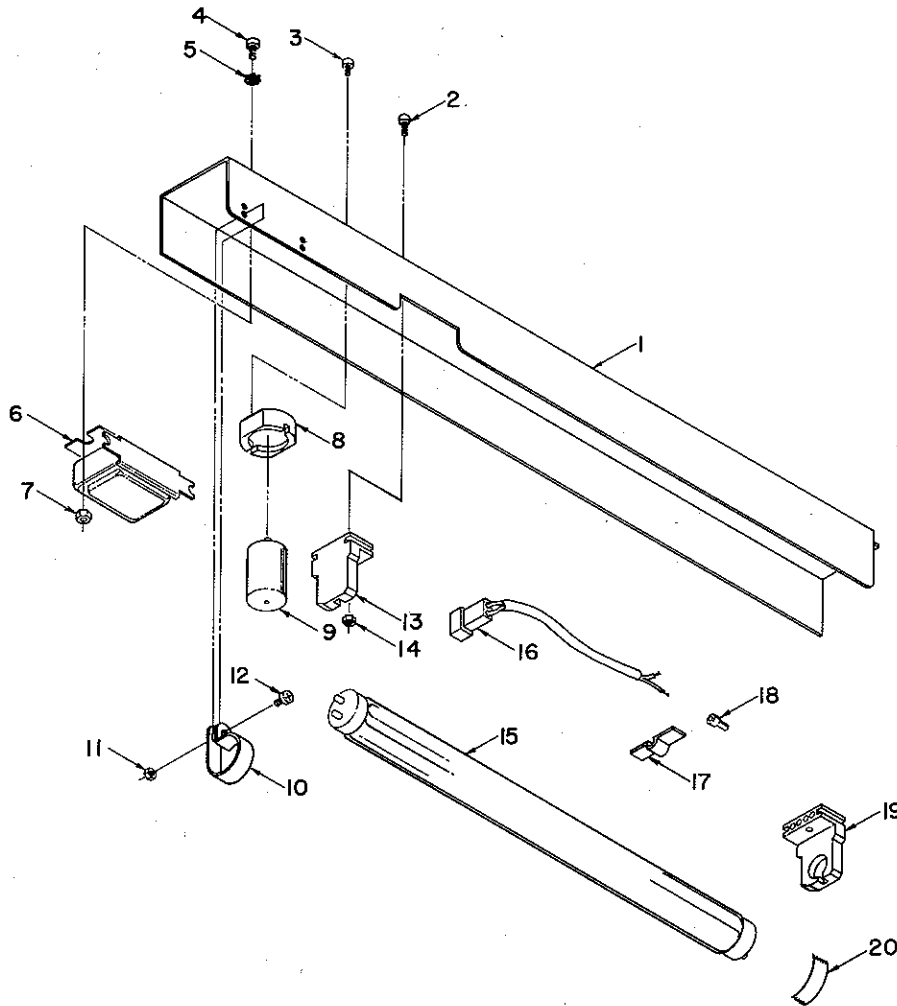
ITEM	PART NUMBER	TYPE A QTY	DESCRIPTION
—	1211172	1	DELIVERY FINAL ASSEMBLY
1	1101622-002	1	DELIVERY WELD
2	4050612	—	1/2 FLAT WASHER
3	4025263	4	PLASTIC BUSHING
4	4008701	1	ANTI-CHEAT
5	4050239	3	8-32X3/8 PHIL PH SCREW
6	4008698	2	DELIVERY SHAFT
7	4050725	2	1/8X3/4 ROLL PIN
8	4050513	6	8-32 TWIN WHIZ LOCK NUT
9	4008702-002	1	PRODUCT DEFLECTOR ANGLE
10	4050240	3	8-32X3/8 PHIL PH MACHINE SCREW
11	4050513	3	8-32 TWIN WHIZ LOCK NUT
12	4050251	1	8-32X5/8 PHIL PH MACHINE SCREW
13	1101206	1	LINK ARM ASSEMBLY
14	4030089	1	BUSHING
15	1101694-003	1	ANTI-CHEAT CAM ASSEMBLY
16	4050494	1	8-32 UNI-TORQUE NUT
17	4050494	1	8-32 UNI-TORQUE NUT
18	4030079	1	SHOULDER SPACER
19	1101688	1	DOOR LINK WELD ASSEMBLY
20	4050273	1	8-32X1 PHIL PH MACHINE SCREW
21	4021066	1	SPRING
22	4050494	3	8-32 UNI-TORQUE NUT
23	4008700	1	DELIVERY DOOR BRACE
24	4025611	1	DELIVERY DOOR
25	4008699	1	DELIVERY DOOR HINGE BRACKET
26	4050239	3	8-32X3/8 PHIL PH SCREW
27	4050247	3	8-32X1/2 PHIL PH MACHINE SCREW

TYPE B DELIVERY ASSEMBLY



ITEM	PART NUMBER	TYPE B QTY	DESCRIPTION
—	1211488	1	DELIVERY BOX ASSEMBLY
1	1211413	1	DELIVERY BOX WELD
2	4203090	1	PRODUCT DEFLECTOR
3	4050420	2	8-18X1/4 PHIL HWH TYPE-T SCREW
4	4203091	1	DELIVERY ANTI-CHEAT-RIGHT
5	4050420	2	8-18X1/4 PHIL HWH TYPE-T SCREW
6	4025263	4	PLASTIC BUSHING
7	4203049	1	DELIVERY FALSE BOX
8	4050202	2	8-18X1/2 PHIL HWH TEK-S SCREW
9	1211411	1	CAM WELD
10	4203072	1	DELIVERY ANTI-CHEAT
11	4050239	3	8-32X3/8 PHIL PH TYPE-T SCREW
12	1211410	1	FOLLOWER WELD
13	4203034	1	BUSHING
14	4050594	1	WASHER
15	8801080	1	E-RING
16	1211412	1	DELIVERY DOOR WELD
17	4050239	3	8-32X3/8 PHIL PH TYPE-T SCREW

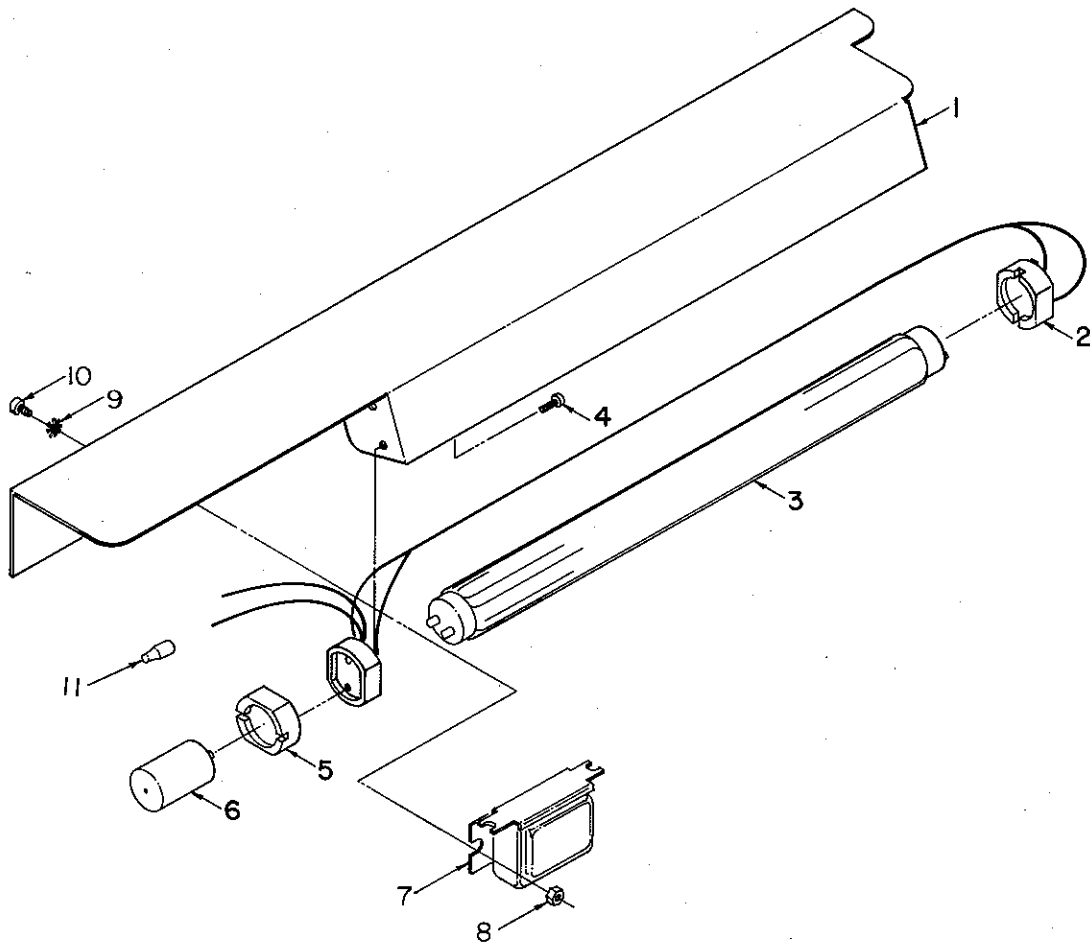
TYPE A LIGHT ASSEMBLY



ITEM	PART NUMBER	TYPE A QTY	DESCRIPTION
--	1211174	1	UPPER LIGHT ASSEMBLY
1	4008651	1	LIGHT REFLECTOR
2	4050113	2	6-32X1/2 PHIL PH MACHINE SCREW
3	8800024	2	4-40X3/8 PHIL PH MACHINE SCREW
4	4050240	2	8-32X3/8 PHIL PH MACHINE SCREW
5	4050585	2	#8 EXTERNAL TOOTH LOCK WASHER
6	4033609	1	BALLAST
--	* 4033074	1	BALLAST (220-240 VOLT)
7	4050513	2	8-32 TWIN WHIZ LOCK NUT
8	4033617	1	STARTER SOCKET
9	4033567	1	STARTER
10	4060134	1	PLASTIC WIRE CLAMP
11	4050513	1	8-32 TWIN WHIZ LOCK NUT
12	4050240	1	8-32X3/8 PHIL PH MACHINE SCREW
13	4033548	1	FLUORESCENT LAMP HOLDER
14	4050505	2	6-32 TWIN WHIZ LOCK NUT
15	4033668	1	LAMP
16	4202365	1	LAMP HARNESS
17	4060130	1	PRESS CLIP - 1/4"
18	4033505	1	CLOSED END SPLICE CAP
19	4033548	1	FLUORESCENT LAMP HOLDER
20	4060622	.5	1/2" FILAMENT TAPE

* 220 - 240 VOLT

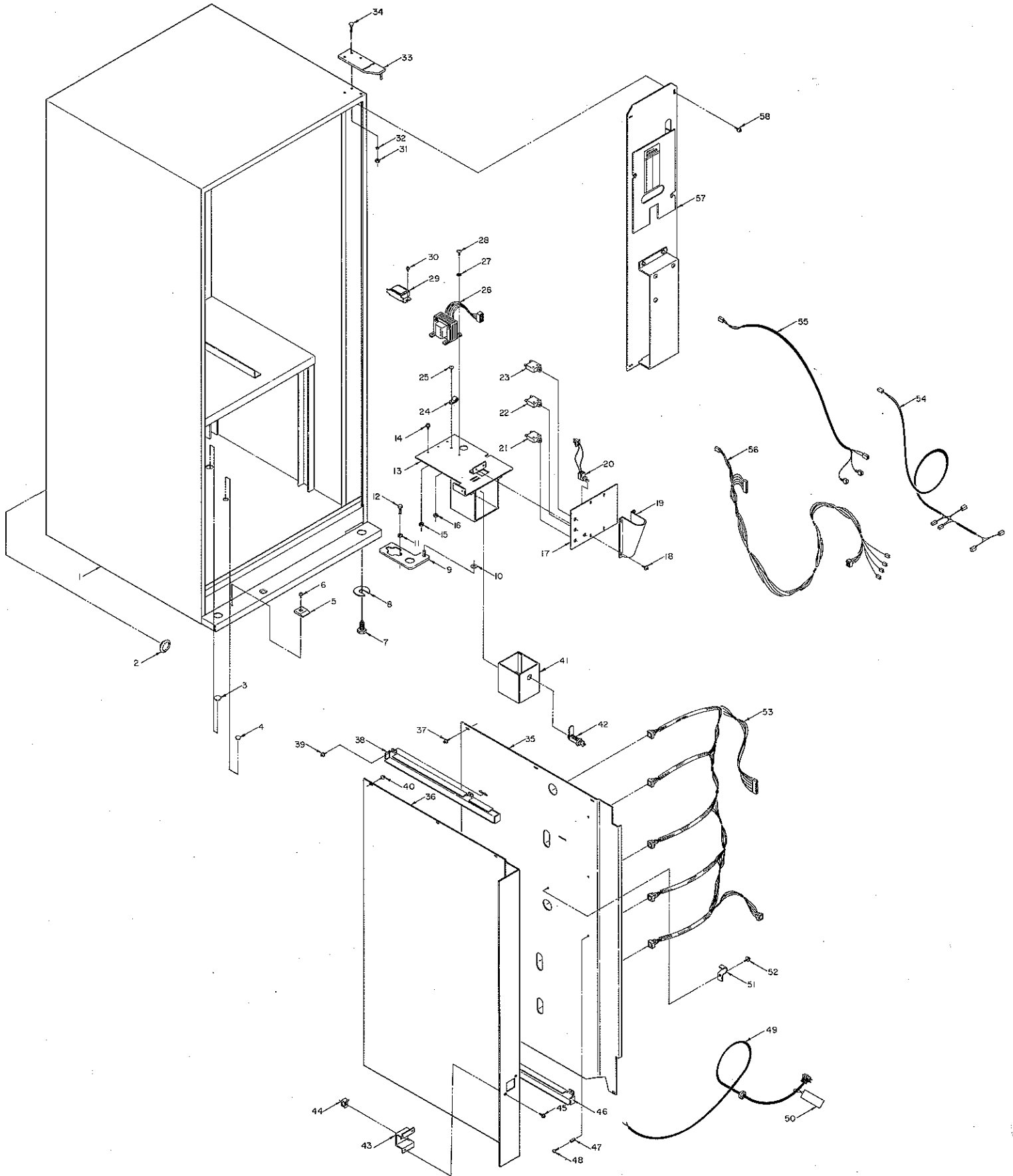
TYPE B LIGHT ASSEMBLY



ITEM	PART NUMBER	TYPE B QTY	DESCRIPTION
-	1211487	1	LIGHT ASSEMBLY
1	1212151	1	LIGHT BRACKET ASSEMBLY
2	4203251	1	LIGHT ASSEMBLY HARNESS
3	4033668	1	LAMP
4	8800024	2	4-40X3/8 PHIL PH MACHINE SCREW
5	4033567	1	STARTER
6	4203098	1	WINDOW RETAINER
7	4033609	1	BALLAST
-	*4033074	1	BALLAST (220-240 VOLT)
8	4050513	2	8-32 TWIN WHIZ LOCK NUT
9	4050585	2	#8 EXTERNAL TOOTH LOCK WASHER
10	4050240	2	8-32X3/8 PHIL PH MACHINE SCREW
11	4033505	2	CLOSED END SPLICE CAP

* 220 - 240 VOLT

CABINET ASSEMBLY

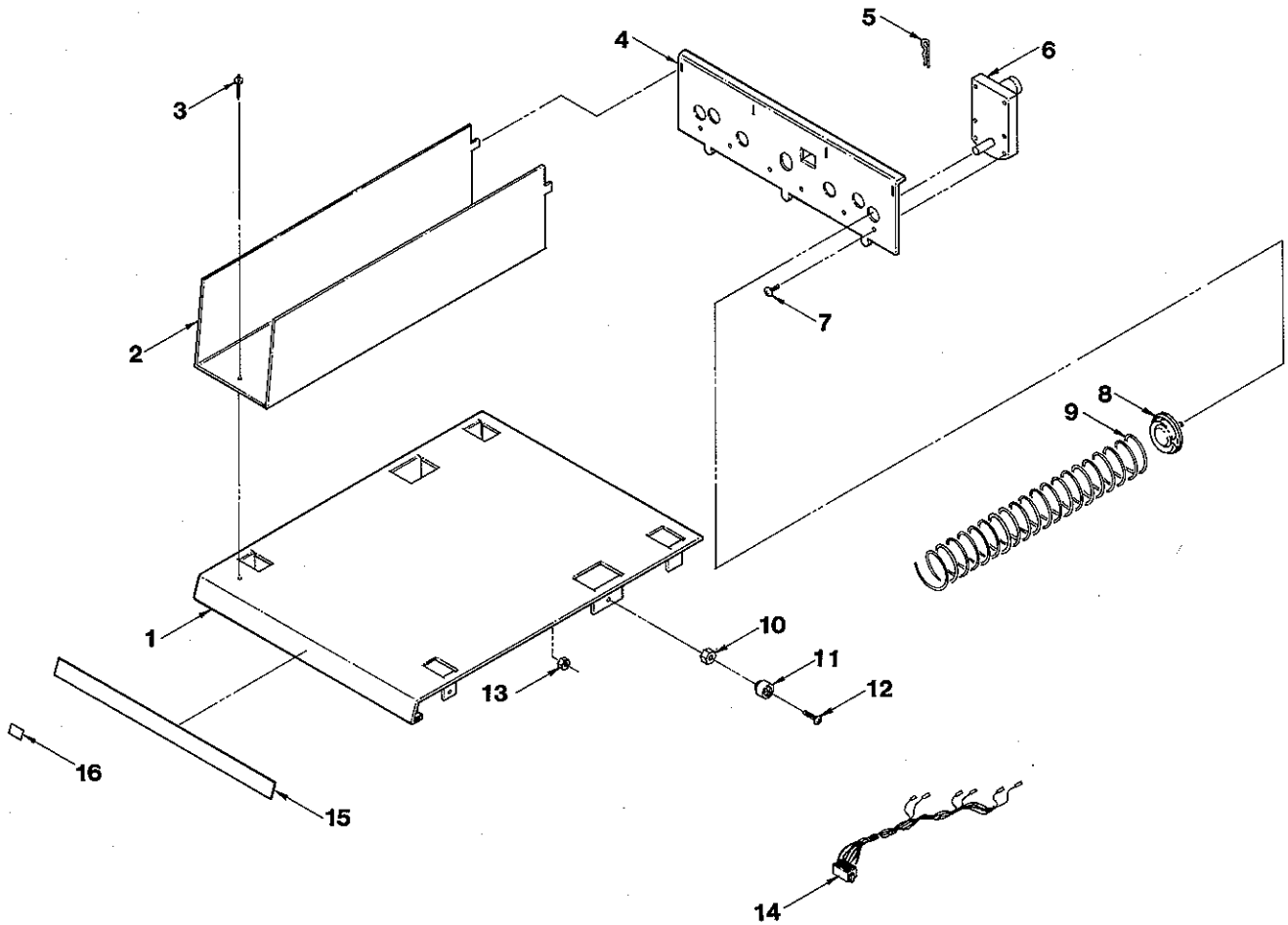


CABINET ASSEMBLY

ITEM	PART NUMBER	TYPE A QTY	TYPE B QTY	DESCRIPTION
--	1211165	1	--	CABINET ASSEMBLY
--	1211496	--	1	CABINET ASSEMBLY
1	1211169-XXX	1	1	CABINET WELD
2	7250135-007	1	1	HOLE PLUG - 2 1/4"
3	7250135-002	2	2	HOLE PLUG - 1"
4	7250135-001	2	2	HOLE PLUG - 1/2"
5	4025610	1	1	DOOR GLIDE
6	4050202	1	1	8-18X1/2 PHIL HWH TEKS SCREW
7	4060310	4	4	LEG LEVELER
8	4009927	4	4	5/8 LEG LEVELER WASHER
9	7600018	1	--	LOWER HINGE STAKE
--	1211483	--	1	BOTTOM HINGE STAKE
10	4050767	1	1	3/8 NYLON FLAT WASHER
11	7186148-000	2	2	5/16 SPLIT LOCK WASHER
12	4050072	2	2	5/16-18X3/4 HEX HEAD CAP SCREW
13	1101547-002	1	1	COIN BOX HOLDER
14	4050202	3	3	8-18X1/2 PHIL HWH TEKS SCREW
15	4050513	1	1	8-32 TWIN WHIZ LOCK NUT
16	4050513	1	1	8-32 TWIN WHIZ LOCK NUT
17	4202350	1	1	TRANSFORMER SHIELD
18	4050202	4	4	8-18X1/2 PHIL HWH TEKS SCREW
19	4009969-000	1	--	COIN CHUTE
--	4203177	--	1	COIN CHUTE
20	1211403	1	1	TOGGLE SWITCH
--	4033511	1	--	TOGGLE SWITCH (4 BUTTON CONTROLLER)
21	4202092-003	1	1	CIRCUIT BREAKER 5 AMP
22	4202092-002	1	1	CIRCUIT BREAKER 3 AMP
23	4202092-001	1	1	CIRCUIT BREAKER 1.5 AMP
24	4050629	1	1	WIRE CLIP
25	4050240	1	1	8-32X3/8 PHIL PH MACHINE SCREW
26	1200323	1	1	TRANSFORMER ASSEMBLY
--	1101657	1	--	TRANSFORMER ASSEMBLY (4 BUTTON CONTROLLER)
--	*4201526	1	1	TRANSFORMER ASSEMBLY 220-240V
27	4050585	2	2	#8 EXTERNAL TOOTH LOCK WASHER
28	4050240	2	2	8-18X1/2 PHIL HWH TEKS SCREW
29	4033609	--	1	BALLAST (N/A) SEE LIGHT ASSEMBLY
30	4050202	--	3	8-18X1/2 PHIL HWH TEKS SCREW (N/A) SEE LIGHT ASSEMBLY
31	4050066	3	3	5/16 HEX NUT PLATED
32	7186148-000	2	3	5/16 SPLIT LOCK WASHER
33	1101127-002	1	--	UPPER HINGE STAKE
--	1211426	--	1	UPPER HINGE STAKE
34	4050099	3	3	5/16-18X3/4 CARRIAGE BOLT
35	1211212	1	1	RIGHT PANEL WELD
36	4202371	1	1	LEFT SIDE PANEL
37	4050202	9	9	8-18X1/2 PHIL HWH TEKS SCREW
38	4003717-000	5	5	TRAY GUIDE
39	4050202	6	6	8-18X1/2 PHIL HWH TEKS SCREW
40	4050202	12	12	8-18X1/2 PHIL HWH TEKS SCREW
41	1101137	1	1	COIN BOX WELD
42	4060366	1	1	LOCK (OPTIONAL)
43	4009831	1	--	LOCK NUT BRACKET
--	4203112	--	1	LOCK NUT BRACKET
44	4050760	1	1	1/2-13 SQUARE NUT WITH RETAINER
45	4050202	2	2	8-18X1/2 PHIL HWH TEKS SCREW
46	4003717-001	5	5	TRAY GUIDE
47	4060174	6	6	ROLLER SPLIT SPACER
48	4050241	6	6	8-18X3/4 PHIL PH SCREW
49	4033631-003	1	1	POWER CABLE
--	Δ4202512-000	1	1	POWER CABLE - INTERNATIONAL
50	8620494	1	1	PLUG WARNING TAG
51	4050750-000	3	3	1/2 CONDUIT CLAMP
52	4050202	3	3	8-18X1/2 PHIL HWH TEKS SCREW
53	4202979	1	1	MAIN HARNESS (19 SELECT ONLY)
--	4202981	1	1	MAIN HARNESS (25 SELECT ONLY)
--	4202367	1	--	MAIN HARNESS (4 BUTTON CONTROLLER - 19 SELECT)
--	4202611	1	--	MAIN HARNESS (4 BUTTON CONTROLLER - 25 SELECT)
54	4202978	1	1	PRIMARY ADAPTOR HARNESS
55	4202364	1	1	PRIMARY POWER HARNESS (1 & 4 BUTTON CONTROLLER)
56	4202980	1	1	SECONDARY POWER HARNESS
--	4202366	1	--	SECONDARY POWER HARNESS (4 BUTTON CONTROLLER)
57	1211168	1	--	CONTROL PANEL ASSEMBLY (SEE PAGE 15)
--	1211168-001	--	1	CONTROL PANEL ASSEMBLY (SEE PAGE 15)
58	4050202	6	6	8-18X1/2 PHIL HWH TEKS SCREW

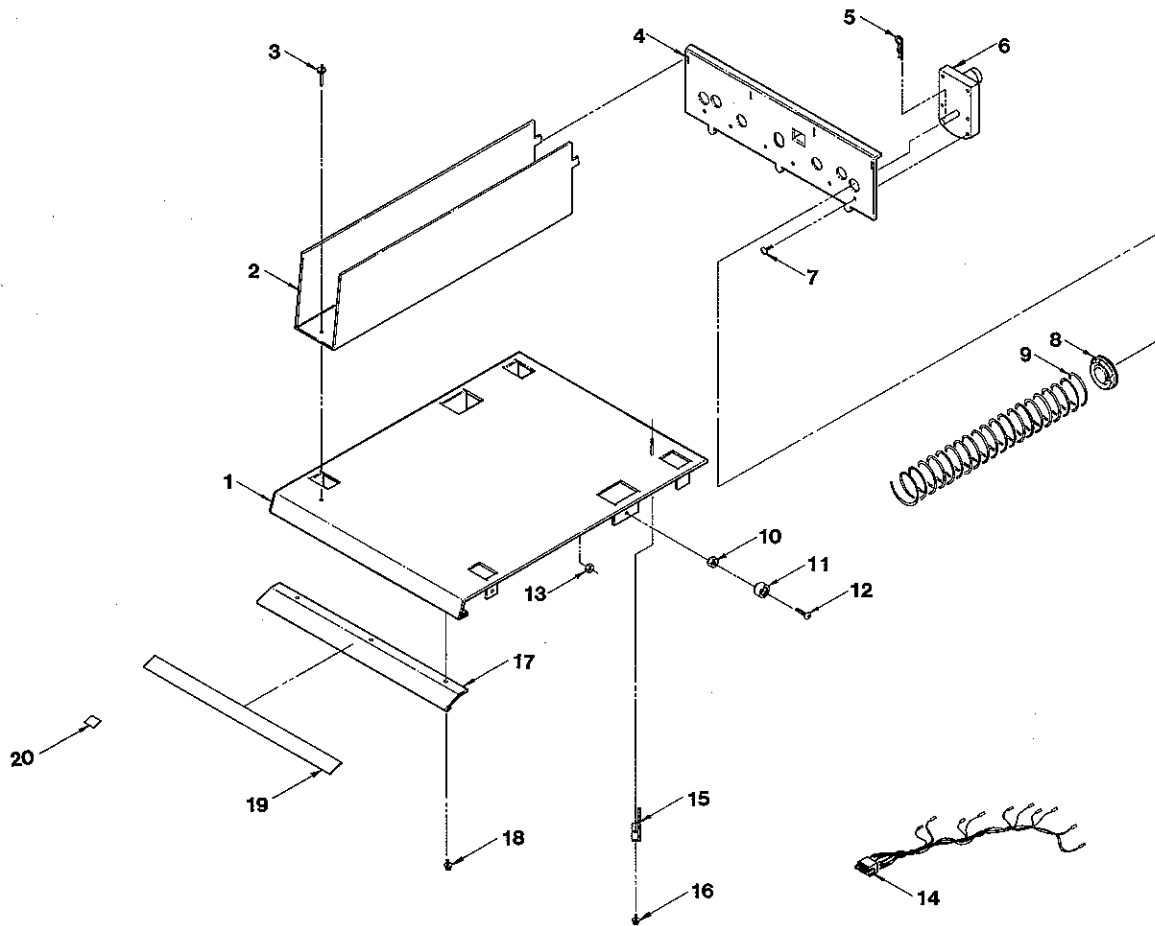
Δ = INTERNATIONAL * 220 - 240 VOLT

SNACK TRAY ASSEMBLY



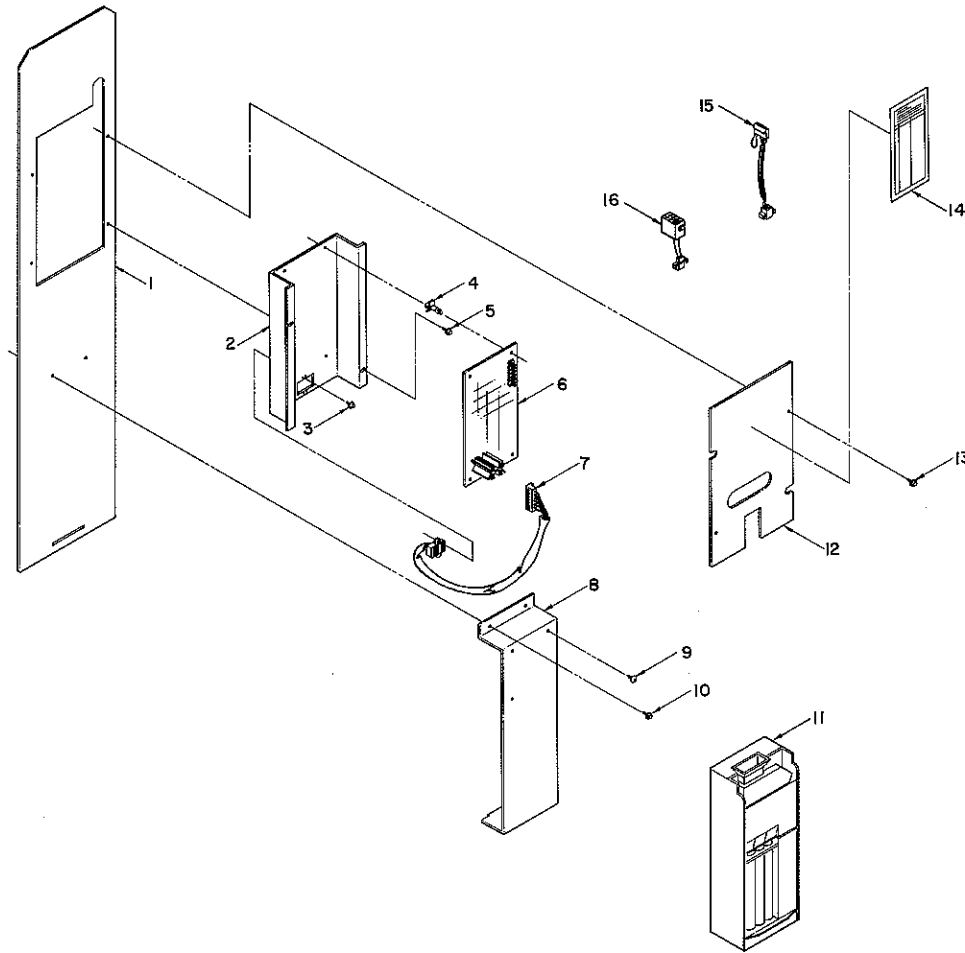
ITEM	PART NUMBER	TYPE A QTY	TYPE B QTY	DESCRIPTION
NUMBER PER TRAY				
--	1211164	1	1	SNACK TRAY ASSEMBLY
1	4202297	1	1	PRODUCT TRAY BASE
2	4202300	2	2	SNACK DIVIDER
3	7201418-003	2	2	RIVET
4	4202299	1	1	SNACK MOTOR MOUNTING PLATE
5	4050773-001	3	3	HITCH PIN
6	4034342	3	3	MOTOR
7	8800636	3	3	8-18X1/2 PHIL PH SCREW
8	4202955	3	3	AUGER COUPLING
9	4202314	3	3	PRODUCT AUGER
10	4050531	4	4	1/4-20 HEX NUT
11	4060172	4	4	NYLON ROLLER
12	4050253	4	4	8-32X5/8 PHIL RH SCREW
13	4050511	4	4	8-32 TWO WAY LOCK NUT
14	4202362	1	1	SHELF HARNESS - SNACK
15	4202318	1	1	ITEM SELECTION STRIP - A
--	4202318-001	1	1	ITEM SELECTION STRIP - B
--	4202318-002	1	1	ITEM SELECTION STRIP - C
16	4202690-XXX	A/R	A/R	PRICE LABEL

CANDY TRAY ASSEMBLY



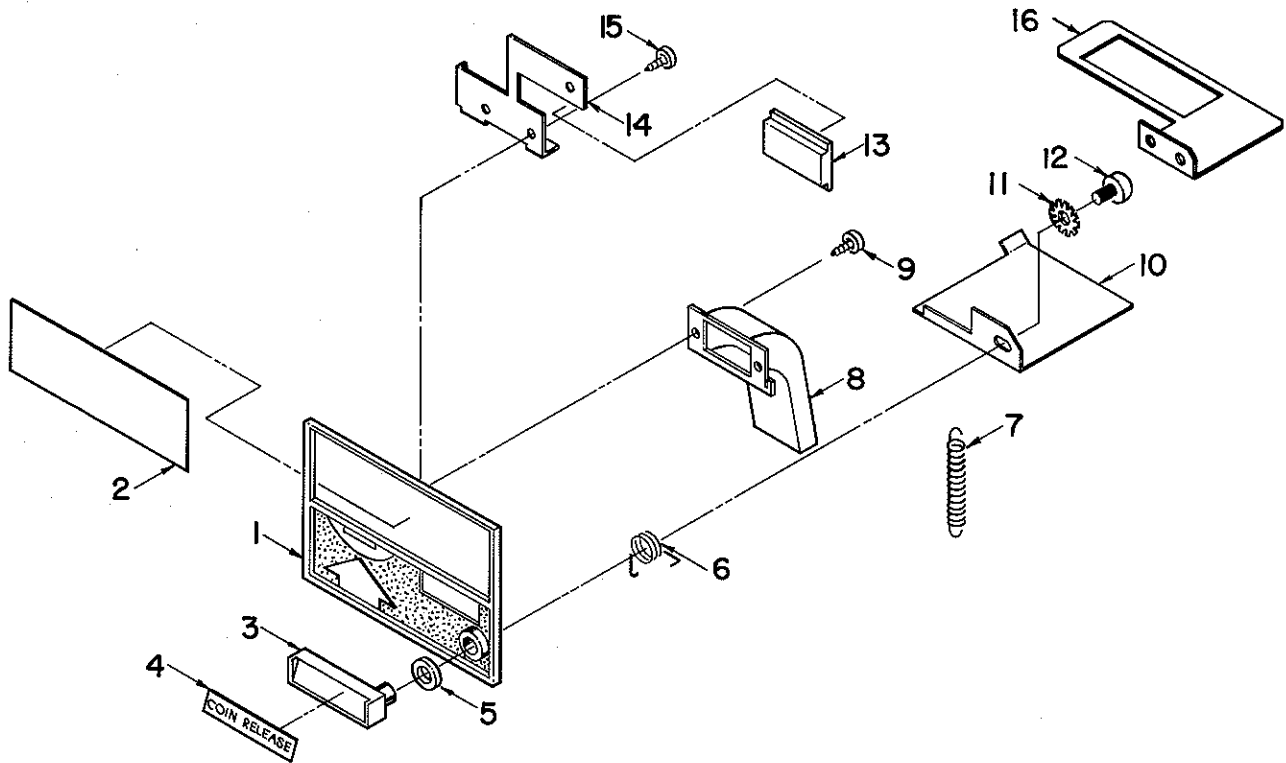
ITEM	PART NUMBER	TYPE A QTY	TYPE B QTY	DESCRIPTION
NUMBER PER TRAY				
--	1211163	--	--	CANDY TRAY ASSEMBLY
--	1211163-001	--	--	CANDY TRAY ASSEMBLY - BOTTOM
1	4202297	1	1	PRODUCT TRAY BASE
2	4202298	3	3	CANDY DIVIDER
3	7201418-003	3	3	RIVET
4	4202299-002	1	1	CANDY MOTOR MOUNTING PLATE
5	4050773-001	5	5	HITCH PIN
6	4034342	5	5	MOTOR
7	8800636	5	5	8-18X1/2 PHIL PH SCREW
8	4202955	5	5	AUGER COUPLING
9	4202314-001	5	5	PRODUCT AUGER
10	4050531	4	4	1/4-20 HEX NUT
11	4060172	4	4	NYLON ROLLER
12	4050253	4	4	8-32X5/8 PHIL RH SCREW
13	4050511	4	4	8-32 TWO WAY LOCK NUT
14	4202373	1	1	SHELF HARNESS - CANDY
15	4009848-001	1	1	PLUG - BRACKET
16	4050420	1	1	8-18X1/4 PHIL HWH SCREW
17	4008633-001	1	1	TRAY LIP (BOTTOM 5 SELECT TRAY ONLY)
18	4050420	3	3	8-18X1/4 PHIL HWH SCREW (BTM 5 SEL TRAY ONLY)
19	4202317-003	1	1	ITEM SELECTION STRIP - CANDY - D
--	4202317-004	1	1	ITEM SELECTION STRIP - CANDY - E (BTM 5 SEL TRAY)
20	4202690-XXX	A/R	A/R	PRICE LABEL

CONTROL PANEL ASSEMBLY



ITEM	PART NUMBER	TYPE A QTY	TYPE B QTY	DESCRIPTION
--	1211168	1	--	CONTROL PANEL ASSEMBLY
--	1211168-001	--	1	CONTROL PANEL ASSEMBLY
1	4202304	1	1	CONTROL MOUNTING PANEL
2	4202307	1	1	CONTROL BOARD BRACKET (15 PIN)
--	4202307	1	--	CONTROL BOARD BRACKET (REVA) (12 PIN)
3	4050420	2	2	8-18X1/4 PHIL HWH SCREW
4	4025723	4	4	CONTROLLER STAND-OFF
5	4050202	2	2	8-18X1/2 PHIL HWH TEKS SCREW
6	4202210	1	1	CONTROL BOARD SPAN/ITAL/FREN/ENG
--	4201042	1	1	CONTROL BOARD GER/DUTCH/FREN/ENG
--	4034362	1	--	CONTROL BOARD (4 BUTTON) DOMESTIC
--	Δ4200110	1	--	CONTROL BOARD (4 BUTTON) INTERNATIONAL
7	4202832	1	1	COIN MECH HARNESS (15 PIN)
--	4200688	1	--	COIN MECH HARNESS (12 PIN)
--	4203024	1	--	COIN MECH HARNESS (4 BUTTON CONTROL) 15 PIN
--	4202363	1	--	COIN MECH HARNESS (4 BUTTON CONTROL) 12 PIN
8	4009828-000	1	--	COIN MECH MOUNTING BRACKET
--	4202812	--	1	COIN MECH MOUNTING BRACKET
9	4050180	3	3	8-18X1/2 PHIL PH TEKS SCREW
10	4050202	2	2	8-18X1/2 PHIL HWH TEKS SCREW
11	4200419	1	1	COIN MECHANISM
12	4202305	1	1	CIRCUIT BOARD COVER
13	4050202	2	2	8-18X1/2 PHIL HWH TEKS SCREW
14	4201661	1	1	OPERATING INSTRUCTIONS LABEL
--	4202392	1	--	OPERATING INSTRUCTIONS LABEL (4 BUTTON CONTR.)
15	Δ4200705	1	1	EXECUTIVE MECH DATA HARNESS
--	Δ4200323	1	--	EXECUTIVE MECH DATA HARNESS (4 BUTTON CONTR.)
16	Δ4200709	1	1	EXECUTIVE MECH POWER HARNESS
--	Δ4200322	1	--	EXECUTIVE MECH POWER HARN (4 BUTTON CONTR.)
17	4034314	1	--	COIN MECH PLUG PIN (12 PIN PLUG ONLY) NOT SHOWN

COIN INSERT ASSEMBLY



ITEM	PART NUMBER	TYPE A QTY	TYPE B QTY	DESCRIPTION
--	1211185	1	--	COIN INSERT CASTING ASSEMBLY
--	1211489	--	1	COIN INSERT CASTING ASSEMBLY
1	4060372-XXX	1	1	COIN INSERT CASTING
2	4020837-001	1	1	LABEL, COIN & DOLLAR
3	7334283-XXX	1	1	COIN RELEASE HANDLE
4	7334370-000	1	1	DECAL - COIN RELEASE
5	7100816-000	1	1	3/8 FLAT WASHER - NYLON
6	7091076-100	1	1	TORSION SPRING
7	4021024	1	--	SPRING
8	4201159-002	1	1	COIN INTAKE CHUTE
--	1212097	--	1	COIN CHUTE WELD
9	4201942	3	3	6-20X3/16 PHIL PH SCREW
10	7334983-000	1	--	COIN RELEASE LEVER
--	4203165	--	1	COIN RELEASE LEVER
11	7200717-008	1	1	LOCK WASHER
12	7200469-020	1	1	1/4-28X1/2 PHIL PH MACHINE SCREW
13	4025725	1	1	FILLER PLUG - 1.531
14	4202056	1	1	RETAINER
15	7310057-000	2	2	6-20X1/4 PHIL TH TYP-B
16	4203620	--	1	COIN CHUTE RETAINER